



Introducing the Climasafe O₃
Air & Multi Surface Disinfectant
System

Kills 99% of Viruses,
Bacteria & Pathogens





How it works?

Simply plug the Climasafe O₃ Ozone Generator into the power supply set the timer program according to instruction and switch on. Returning to the disinfected area on completion to ventilate the room with no consumables required.

Ozone works as a natural sanitising agent killing 99% of bacteria, pathogens and viruses in as little as 20 seconds, including E-coli, MRSA and mites, leaving treated areas hygienically clean.



Suitable for...

- ✓ Homes, Offices, Shops, Hotels, Gyms, Showrooms, and Restaurants
- ✓ Clinics, Sanitary facilities, Rehabilitation Rooms and Bathrooms
- ✓ Vans, Cars, Minibuses, Trucks, Caravans and Holiday Homes





Benefits



Without residues

Ozone rapidly breaks down into CO₂ and O₂ without generating dangerous by-products in the environment.



Disinfectant

Elimination of bacteria, viruses, fungi, molds and mites. It is an unstable molecule that tends to oxidize the molecules of these compounds, capturing their electrons and destabilizing them.



Deodorizer

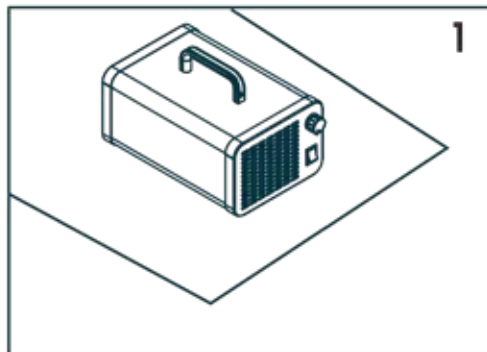
Given its oxidizing power, it accelerates the oxidation process of volatile organic components, eliminating their presence and destroying odours.



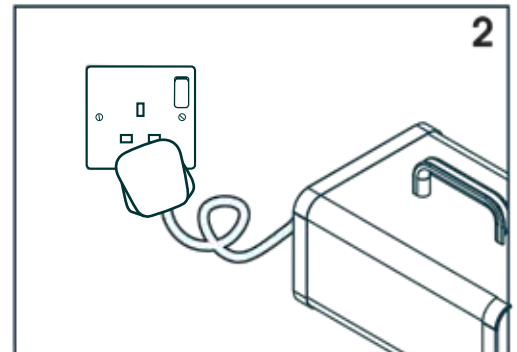
Easy handling

Compact and lightweight design that allows transport for use in different areas. Includes timer and operating indicator switch.

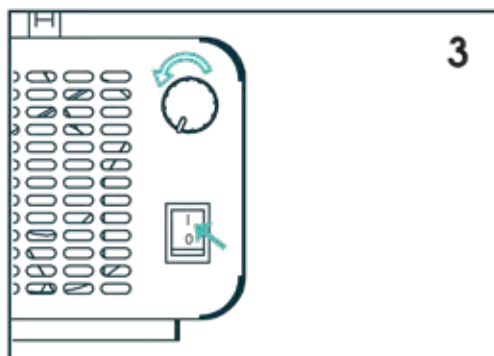
Plug & Play



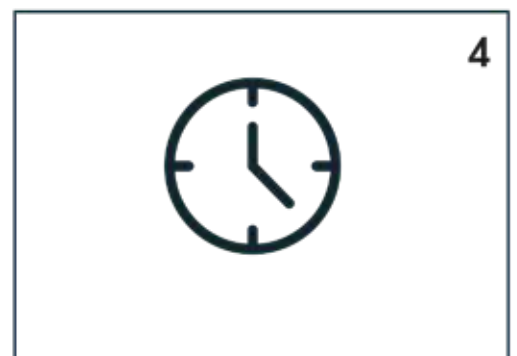
1 It shall be fixed in a conspicuous and readily accessible place, ensuring that there will be no human transit during disinfection.



2 Plug into the power supply.



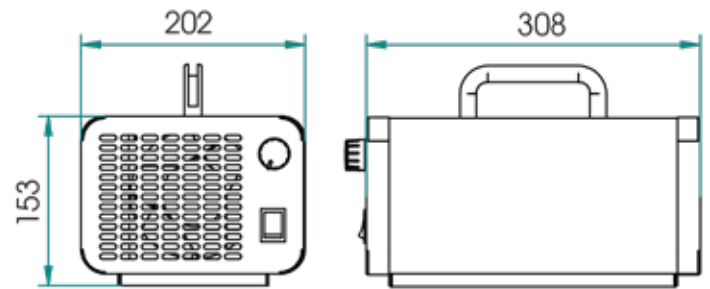
3 Turn on using the switch in position 1. Program the time according to the volume of the room to be disinfected.



4 Wait the programmed time outside the cabin and when entering, ventilate the room.



Climasafe	
O ₃ production	24 g/h
Power consumed	110 W
Electrical power supply	220-240V / 50Hz
Timer	60 min
Disinfection capacity	350 m ³ /h
Weight	2.5 kg



Application examples

Car	5 min
Truck	10-15 min
Room of m ³	9 min
Room of 120 m ³	20 min
Room of 350 m ³	60 min

Terms of use

CE APPROVED

- Exposure to ozone in environments where people are present is 0.1 ppm. The ozone generator for on-site shock treatment exceeds this limit while disinfecting, therefore it is not allowed to use this device in the presence of people.
- Once the area has been disinfected and after at least 20 minutes, the ozone is converted back to better quality oxygen without side effects.
- If the need requires access to an ozone-treated area, you should use a mask and stay as little as possible.
- It is suggested to open windows to decrease the load.
- Keep dry the area where the equipment is used.
- Do not use in environments with humidity higher than 80%.
- It is not allowed to manipulate the inside machine or insert any metal object (risk of high voltage).
- Always keep the air intake of the device clean.
- No consumables
- Do not stay in the area if the smell of ozone is very strong. Ventilate the area.